



Comprehensive[®]
Connectivity Company

The Pro's Connectivity Since 1974

CUE-104FE

4-Port USB 2.0 Over Extender Cat5/6 up
to 165ft



User Manual

Version: V1.0.1

Overview

Comprehensive's CUE-104FE is a low-cost and high-performance 4-Port Plug-and-Play USB 2.0 over Cat5e/Cat6 Extender Hub Kit that transmits data from a computer to as many as four USB 2.0 peripherals up to 165ft (50m) away.

This extender kit can work with all major operating systems including Windows®, MacOS® and Linux with no need of driver installation. It can achieve data rates up to 480Mbps and is also compatible with USB 1.1 and USB 3.0 peripherals. The 4-Port Hub receiver allows the connections of up to four USB devices, providing access to a keyboard, mouse, printers, scanners, cameras, speaker, external storage media, digital signage or automated control systems.

Features

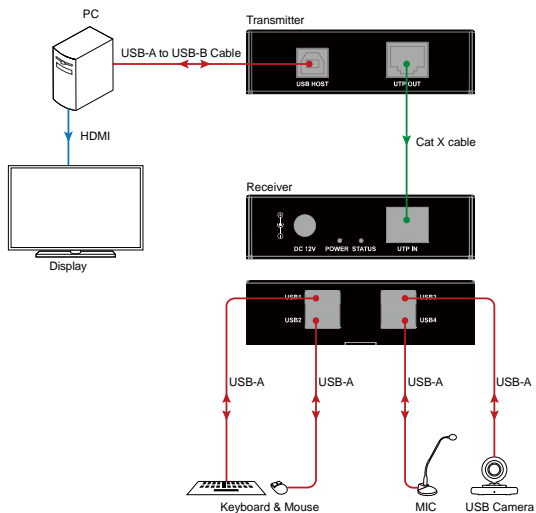
- Supports high-speed USB 2.0 (Up to 480Mbps) over a Cat 5e/6 cable up to 50m/165ft
- Up to 4 USB device connections supported by the Hub
- Hot-Swap compatible
- Plug-and-play, with no driver installation required
- Supports all major operating systems: Windows, Mac OS and Linux
- Compatible with USB 1.1 and USB 1.0 peripherals
- 3 Year Warranty

Package Contents

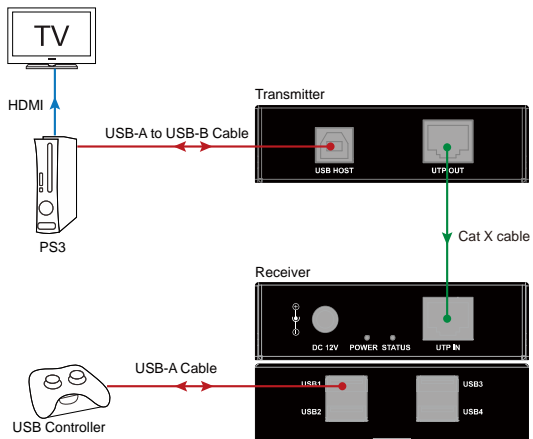
- 1 x CUE-104FE USB Extender Set
- 1 x Power Adapter (DC 12V 0.5A)
- 1 x USB-A to USB-B Cable
- 4 x Mounting Brackets (with Screws)

Application Diagram

1. Video conference system



2. Personal entertainment system



Specifications

Video	
I/O Connections	TX: 1 x USB Type-B 1 x UTP Out RX: 1 x UTP IN 1 x DC 12V IN 4 x USB 2.0
Input/Output Signal Type	USB 2.0 and backward compatible with USB 1.1 and USB 1.0
Maximum Data Rate	Up to 480Mbps
General	
Operating Temperature	0°C to 45°C (32°F to 113°F)
Storage Temperature	-20°C to 70°C (-4°F to 158°F)
Humidity	10% to 90%, non-condensing
ESD Protection	Human-body Model: ±8kV (Air-gap discharge)/ ±4kV (Contact discharge)
Power Supply	DC 12V 0.5A
Power Consumption (Maximum)	4.5W
Device Dimension (W x H x D)	90 mm x 25 mm x 71 mm/ 3.54" x 0.98" x 2.79" each for TX/RX
Product Weight	0.35kg/0.77lb each for TX/RX

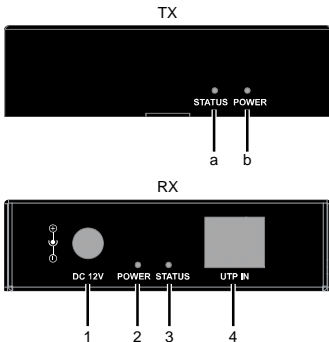
Transmission Distance:

Note: T568B straight-through Category cable is recommended.

Cable Type	Range
Cat 5e/6	Up to 50m/164ft

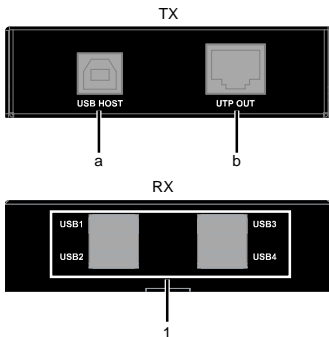
Panel Description

Front Panel



No.	Name	Description
a & 3	Status LED	Blinking: The device is working properly. Off: The device is not working properly.
b & 2	Power LED	On/Off: The device is powered on/off.
1	DC 12V	12V DC power input
4	UTP IN	Connect TX and RX with a Cat 5e/6 cable.

Rear Panel



No.	Name	Description
a	USB Host	Connect to the PC with a USB-A to USB-B cable.
b	UTP OUT	Connect TX and RX with a Cat 5e/6 cable.
1	USB 1-4	Connect to USB devices such as keyboard, mouse, MIC, USB camera.

Troubleshooting

1. No Power

- Ensure the power is on.
- Ensure you use the power adapter provided in the package.
- If the transmitter is powered by the USB host, the receiver can be powered by transmitter through PoE.
- If connect to high power USB device(s), using external power supply to power the receiver is recommended.

2. USB Not Detected

- Ensure all devices are powered on, and all cables are qualified and connected properly. Ensure all the cables' length are within the maximum transmission distance (refer to **Specification** table).



80 Little Falls Road, Fairfield, NJ 07004

sales@comprehensiveco.com | 800.526.0242 | www.ComprehensiveCo.com